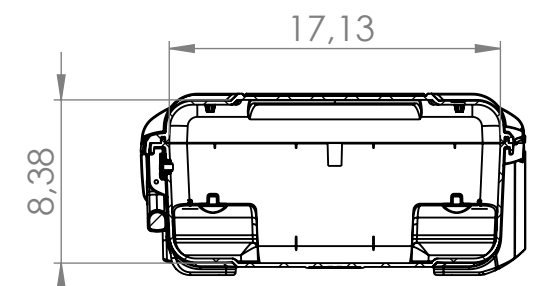
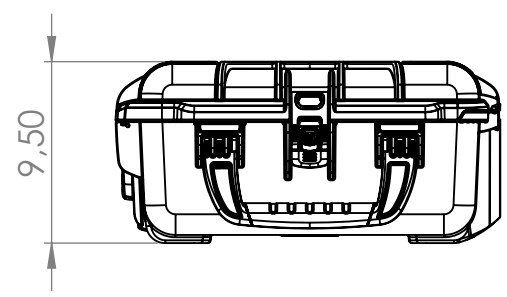
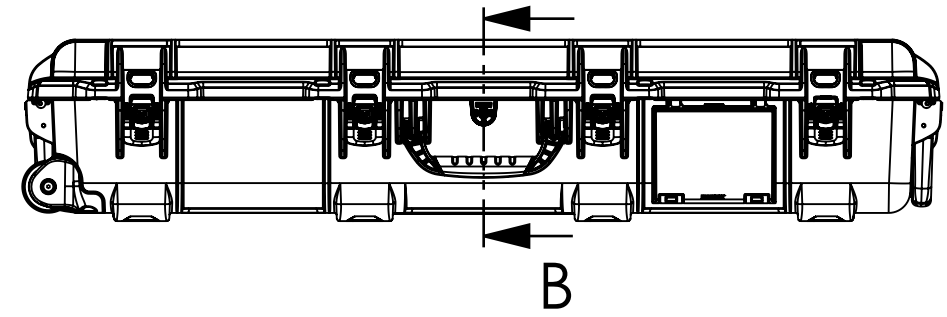
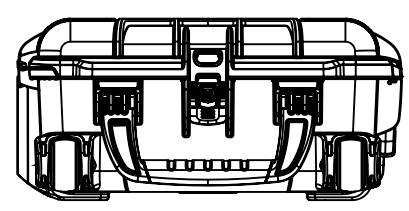
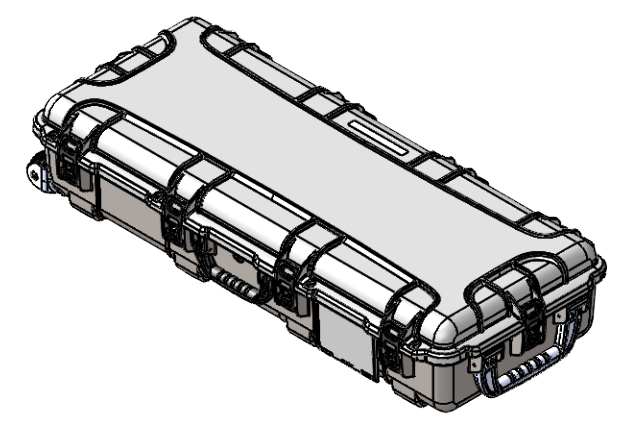
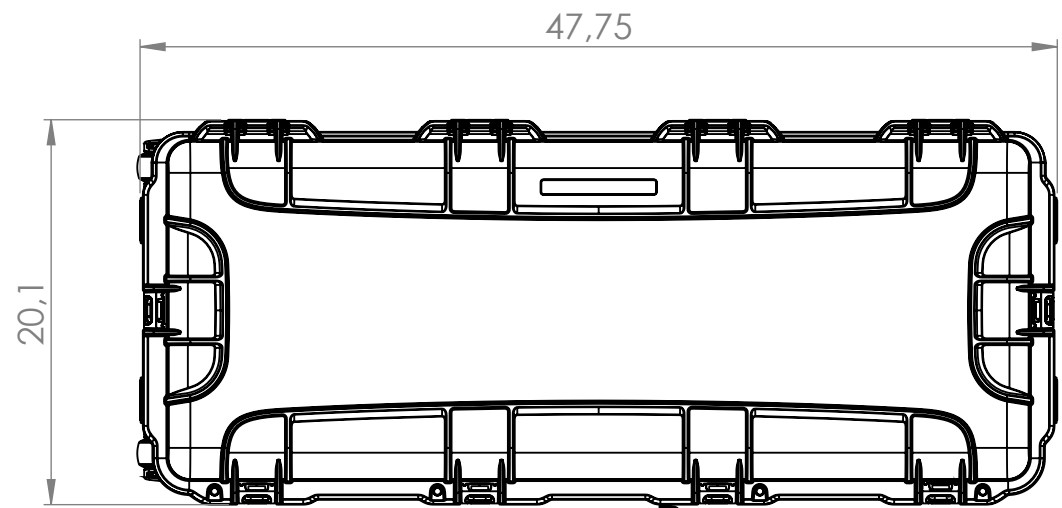


4

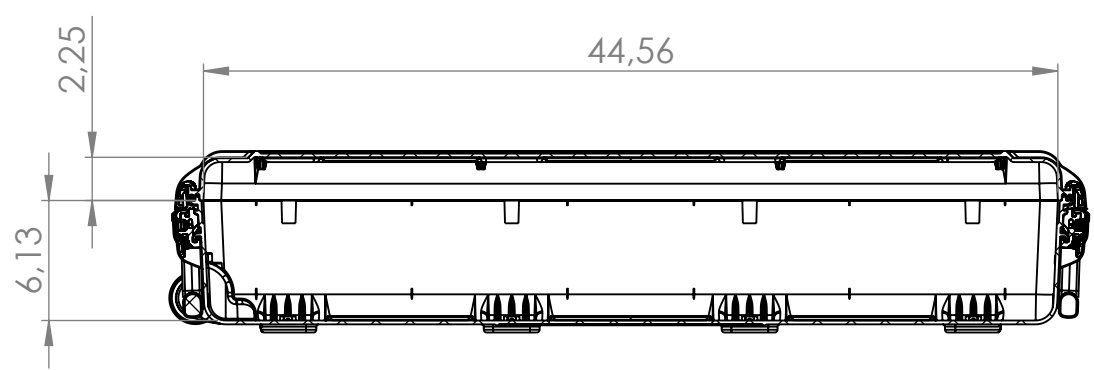
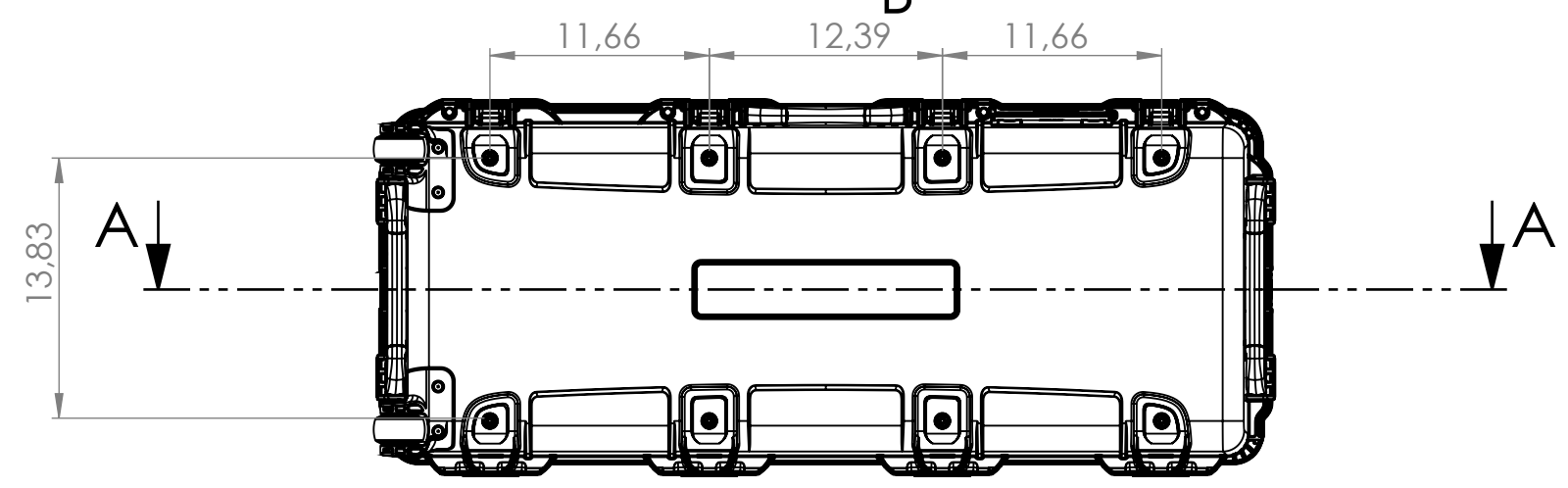
3

2

1



SECTION B-B



SECTION A-A

NANUK 991 SPECIFICATIONS	
Case Weight Empty	10.9kg / 24.0lbs
Interior Length	1131mm / 44.56"
Interior Width	435mm / 17.13"
Interior Height	212mm / 8.38"
Interior Lid Depth	57mm / 2.25"
Interior Base Depth	155mm / 6.13"
Exterior Length	1212mm / 47.75"
Exterior Width	511mm / 20.13"
Exterior Height	241mm / 9.50"
Master Pack Qty.	N/A
Master Pack Wt.	N/A
Max Buoyancy	N/A

UNLESS OTHERWISE SPECIFIED:
 DIMENSIONS ARE IN INCHES
 TOLERANCES:
 X.X ± 0.1
 X.XX ± 0.02
 X.XXX ± 0.005
 FRACTIONAL ± 1/16
 ANGULAR:
 X ± 1°
 X.X ± 0.5°

PROPRIETARY AND CONFIDENTIAL
 THE INFORMATION CONTAINED IN THIS
 DRAWING IS THE SOLE PROPERTY OF
 PLASTICASE INC. ANY REPRODUCTION IN
 PART OR AS A WHOLE WITHOUT THE
 WRITTEN PERMISSION OF PLASTICASE INC.
 IS PROHIBITED.

	NAME	DATE
DRAWN BY	DB	2023-08-28
APPR. BY		
QC BY		
MATERIAL		
FINISH		
WEIGHT (Kg)		

plasticase
NANUK
 PROFESSIONAL PROTECTIVE CASES

TITLE:
 991_NANUK

DWG. NO.
 XXX - XXXX

REV
 0

DO NOT SCALE DRAWING SIZE B SCALE: 1:10 SHEET 1 OF 2

4

3

2

1

B

B

A

A

4

3

2

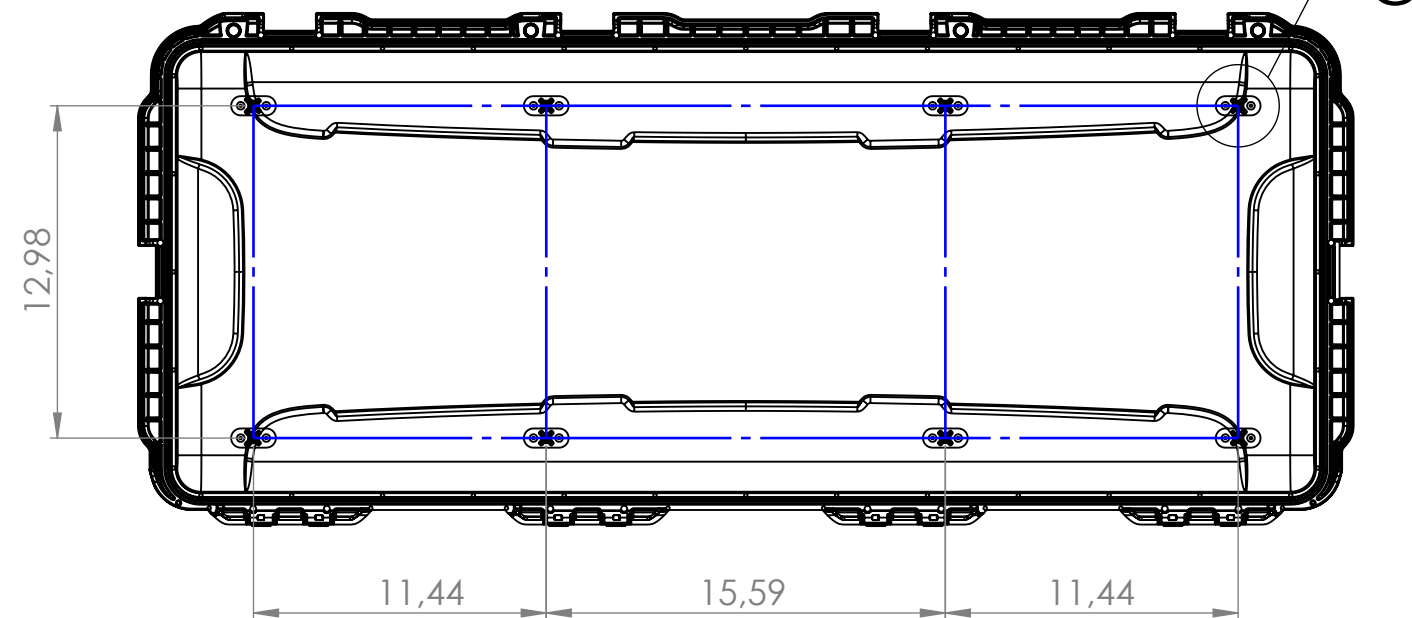
1

B

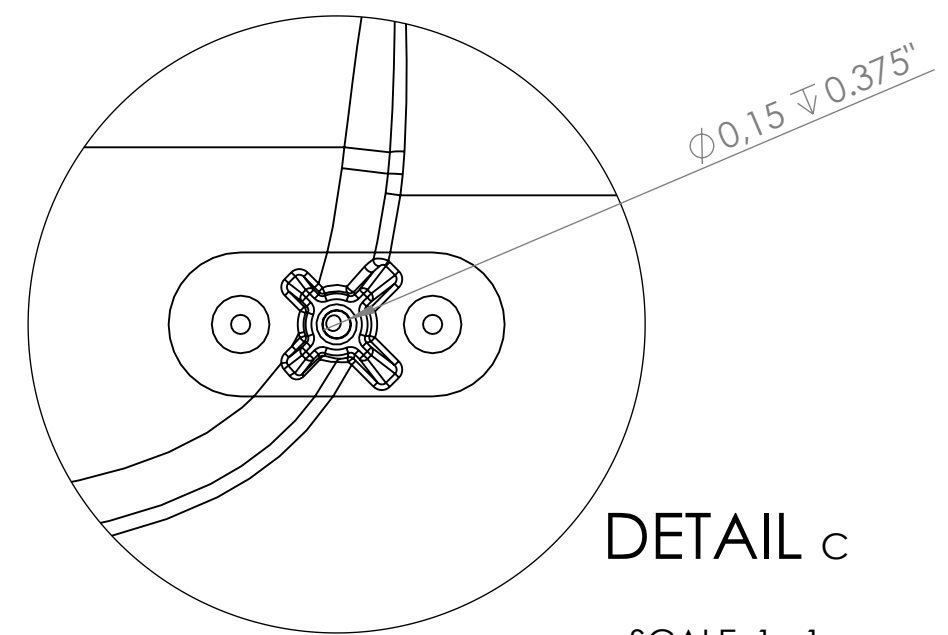
B

A

A

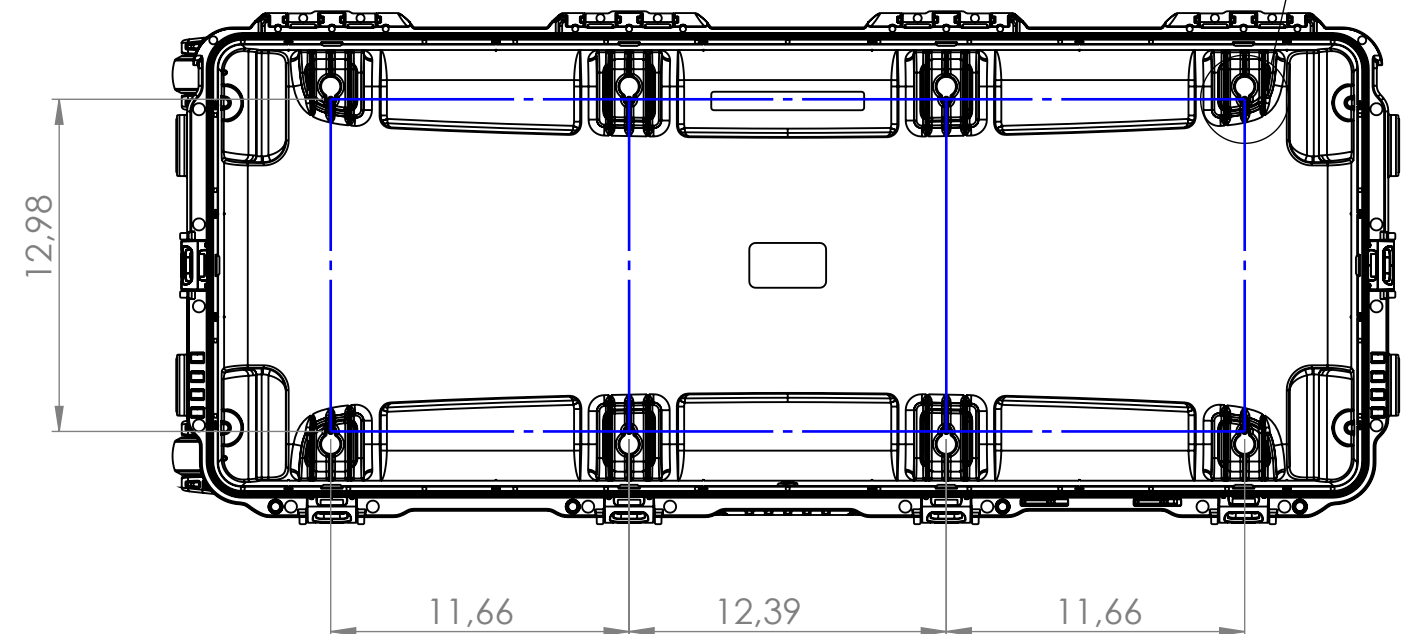


LID SCREW BOSS PATTERN

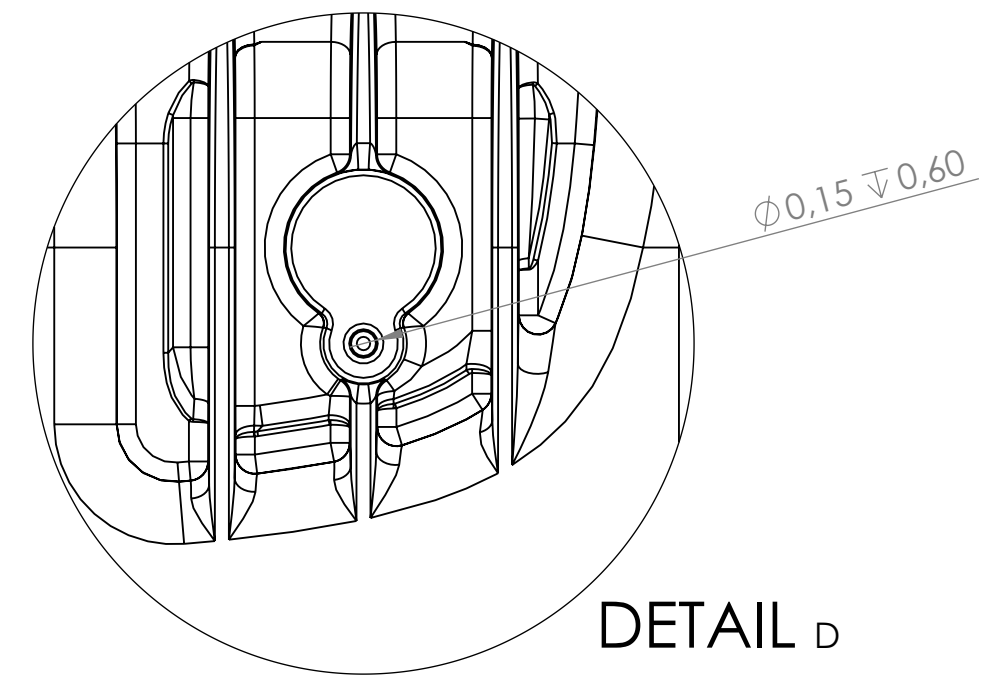


DETAIL C

SCALE 1 : 1



BASE SCREW BOSS PATTERN



DETAIL D

SCALE 1 : 1

UNLESS OTHERWISE SPECIFIED:
 DIMENSIONS ARE IN INCHES
 TOLERANCES:
 X.X ± 0.1
 X.XX ± 0.02
 X.XXX ± 0.005
 FRACTIONAL ± 1/16
 ANGULAR:
 X ± 1°
 X.X ± 0.5°

PROPRIETARY AND CONFIDENTIAL
 THE INFORMATION CONTAINED IN THIS
 DRAWING IS THE SOLE PROPERTY OF
 PLASTICASE INC. ANY REPRODUCTION IN
 PART OR AS A WHOLE WITHOUT THE
 WRITTEN PERMISSION OF PLASTICASE INC.
 IS PROHIBITED.

NAME	DATE
DB	2023-08-28
DRAWN BY	
APPR. BY	
QC BY	
MATERIAL	
FINISH	
WEIGHT (Kg)	
DO NOT SCALE DRAWING	

plastcase
NANUK[™]
 PROFESSIONAL PROTECTIVE CASES

TITLE:
 991_NANUK

DWG. NO.
 XXX - XXXX

REV
 0

SIZE B SCALE: 1:10 SHEET 2 OF 2

4

3

2

1