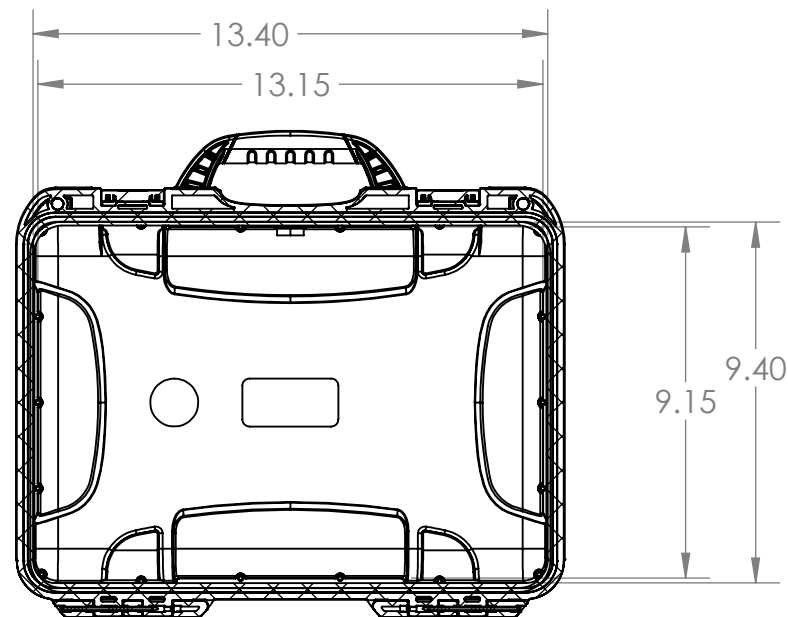
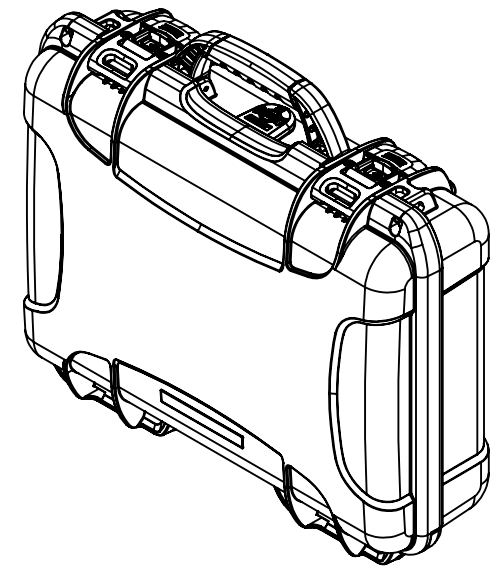
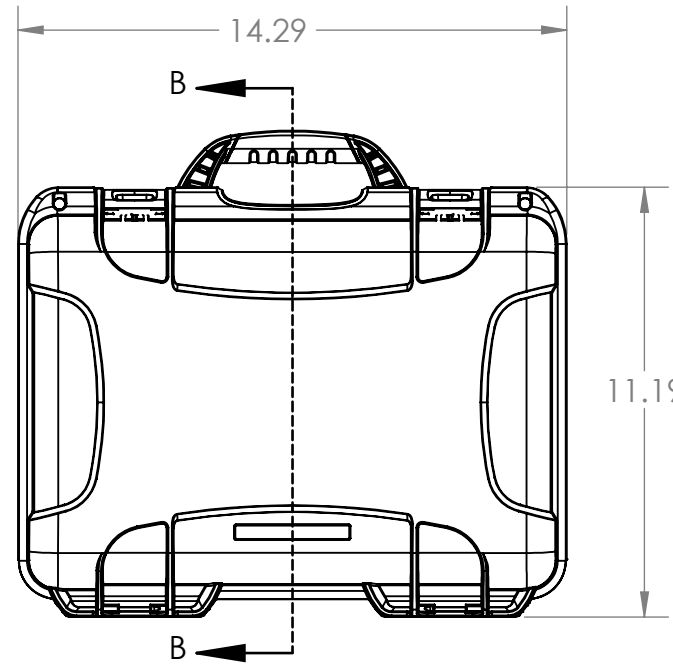
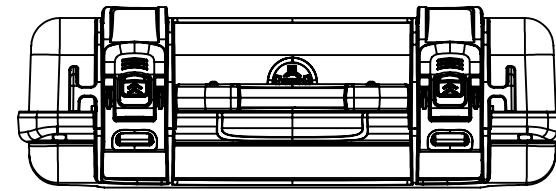
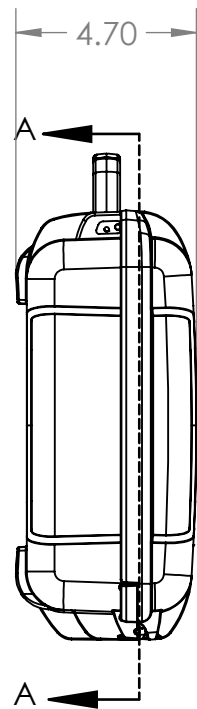
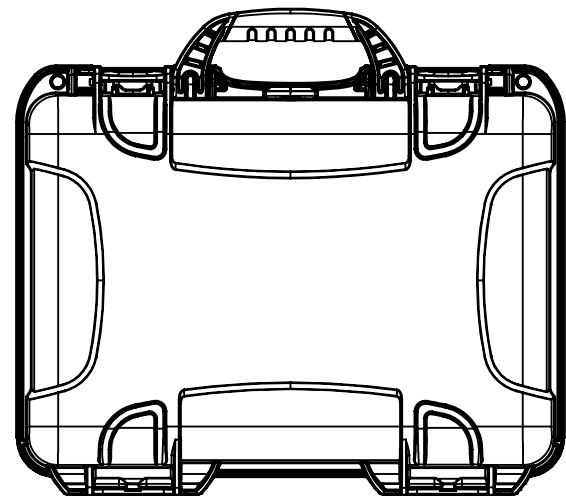
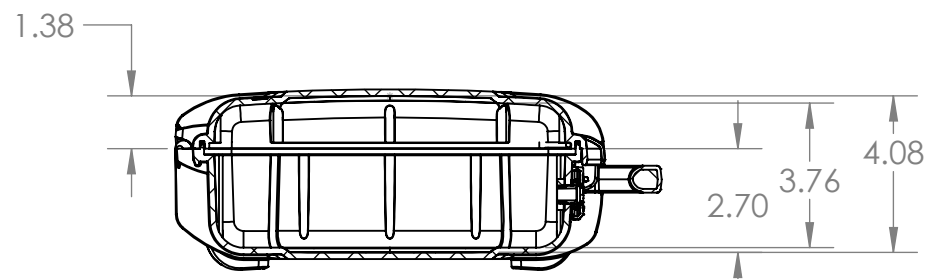


THE INFORMATION CONTAINED IN THIS DRAWING IS THE SOLE PROPERTY OF PLASTICASE ANY REPRODUCTION IN PART OR WHOLE WITHOUT THE WRITTEN PERMISSION OF PLASTICASE IS PROHIBITED.

REVISIONS			
REV.	DESCRIPTION	DATE	APPROVED



SECTION A-A



SECTION B-B

**NANUK 910 Specifications**

Case Weight Empty	2.9lbs / 1.3kg
Interior Length	13.15" / 334mm
Interior Width	9.15" / 232mm
Interior Height	4.08" / 104mm
Interior Lid Depth	1.38" / 35mm
Interior Base Depth	2.70" / 69mm
Exterior Length	14.29" / 363mm
Exterior Width	11.19" / 284mm
Exterior Height	4.70" / 119mm
Master Pack Qty.	4
Master Pack Wt.	15.45lbs / 6.98kg
Max Buoyancy	17.18lbs / 7.78kg

PARTS LIST			
UNLESS OTHERWISE SPECIFIED DIMENSIONS ARE IN INCHES	CAD GENERATED DRAWING, DO NOT MANUALLY UPDATE		<p>PLASTICASE</p> <p>NANUK 915</p>
	APPROVALS	DATE	
	DRAWN P.L.O.	25/10/2013	
	CHECKED		
	RESP ENG		
MATERIAL			
FINISH --	MFG ENG		
DO NOT SCALE DRAWING	QUAL ENG		
SIZE B		DWG. NO.	REV.
SCALE 1:5		CAD FILE: 910_ASSEMBLY_Curve_rev25 SHEET 1 OF 1	