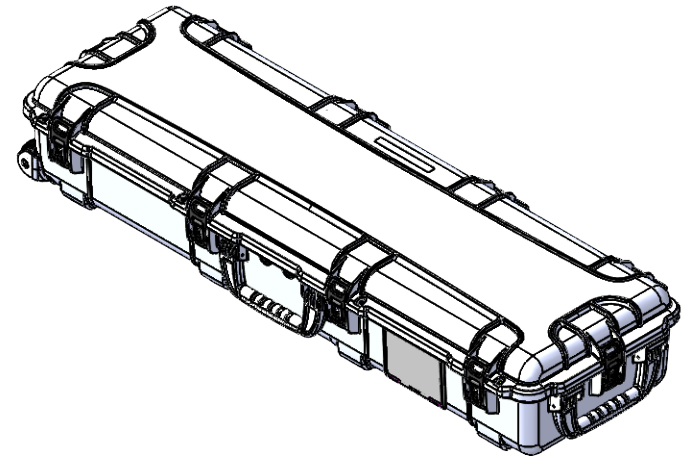
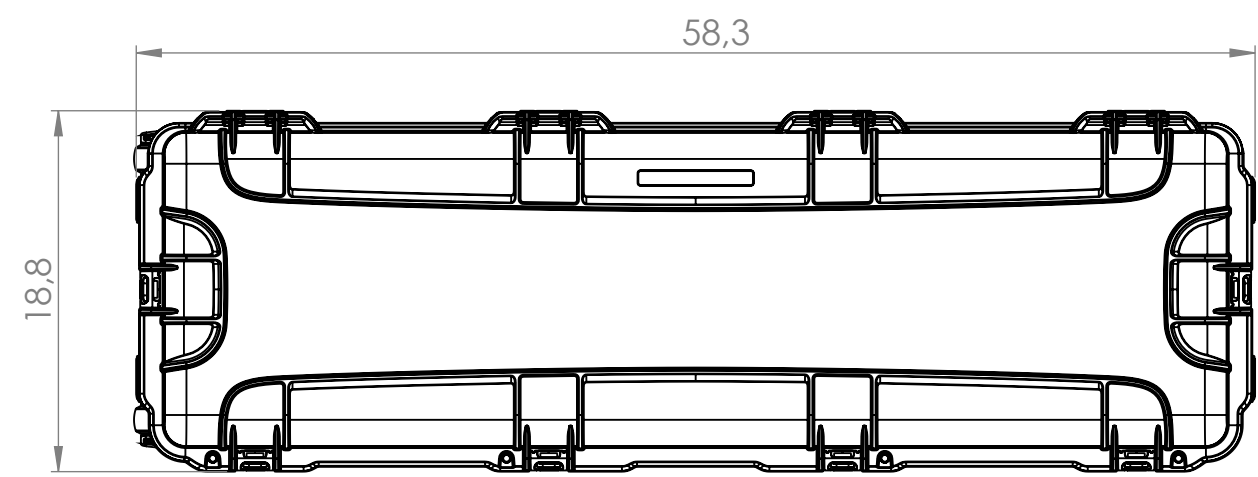


4

3

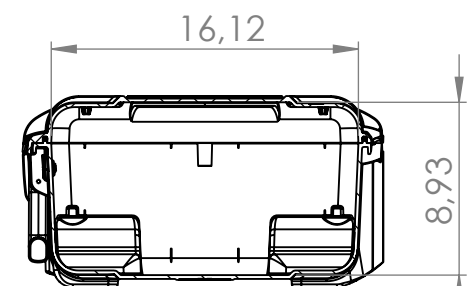
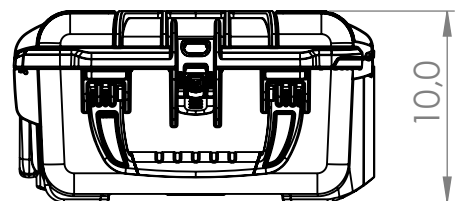
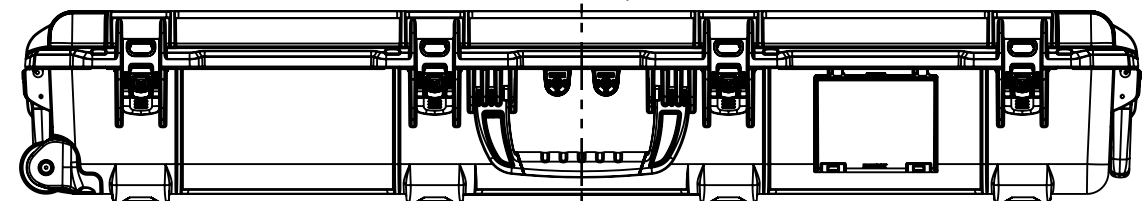
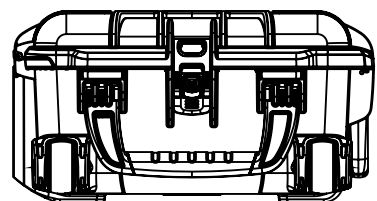
2

1

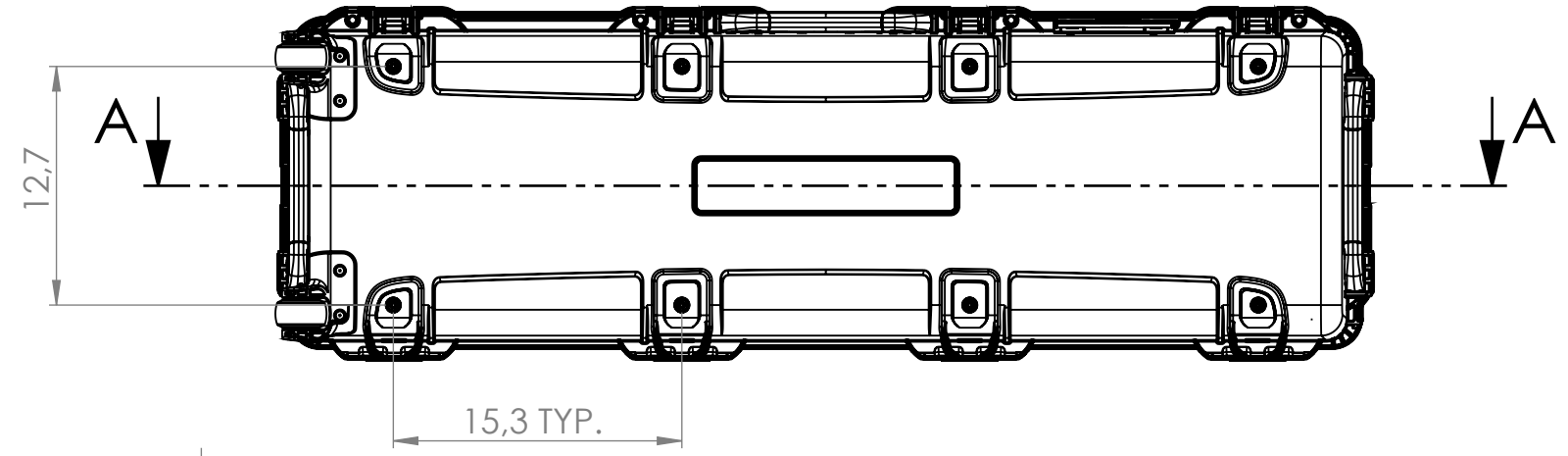


B

B

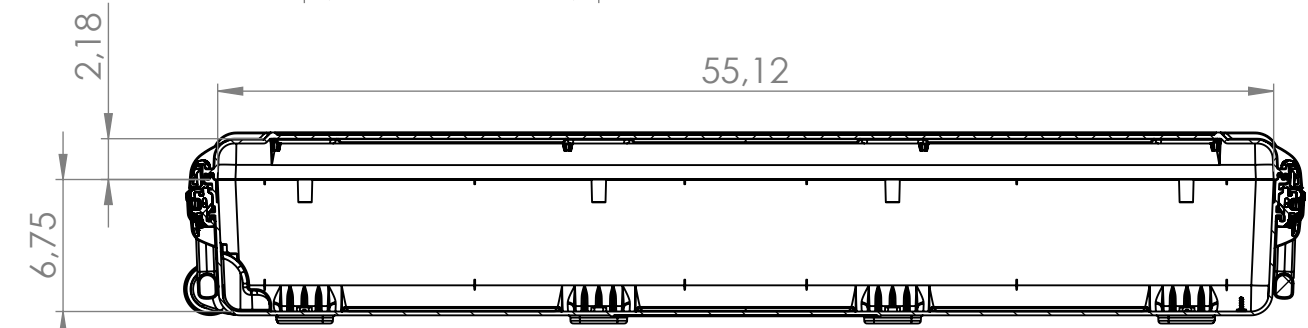


SECTION B-B



A

A



SECTION A-A

NANUK 996 SPECIFICATIONS	
Case Weight Empty	12.7kg / 28.8lbs
Interior Length	1400mm / 55.12"
Interior Width	409mm / 16.12"
Interior Height	226mm / 8.93"
Interior Lid Depth	55mm / 2.18"
Interior Base Depth	171mm / 6.75"
Exterior Length	1482mm / 58.37"
Exterior Width	479mm / 18.87"
Exterior Height	254mm / 10"
Master Pack Qty.	N/A
Master Pack Wt.	N/A
Max Buoyancy	N/A

UNLESS OTHERWISE SPECIFIED:  
 DIMENSIONS ARE IN INCHES  
 TOLERANCES:  
 X.X ± 0.1  
 X.XX ± 0.02  
 X.XXX ± 0.005  
 FRACTIONAL ± 1/16  
 ANGULAR:  
 X ± 1°  
 X.X ± 0.5°

**PROPRIETARY AND CONFIDENTIAL**  
 THE INFORMATION CONTAINED IN THIS  
 DRAWING IS THE SOLE PROPERTY OF  
 PLASTICASE INC. ANY REPRODUCTION IN  
 PART OR AS A WHOLE WITHOUT THE  
 WRITTEN PERMISSION OF PLASTICASE INC.  
 IS PROHIBITED.

	NAME	DATE
DRAWN BY	DB	2023-08-28
APPR. BY		
QC BY		
MATERIAL		
FINISH		
WEIGHT (Kg)		

**plasticase**  
**NANUK**  
 PROFESSIONAL PROTECTIVE CASES

TITLE:  
 996\_NANUK

DWG. NO.  
 XXX - XXXX

REV  
 0

DO NOT SCALE DRAWING SIZE B SCALE: 1:10 SHEET 1 OF 2

4

3

2

1

4

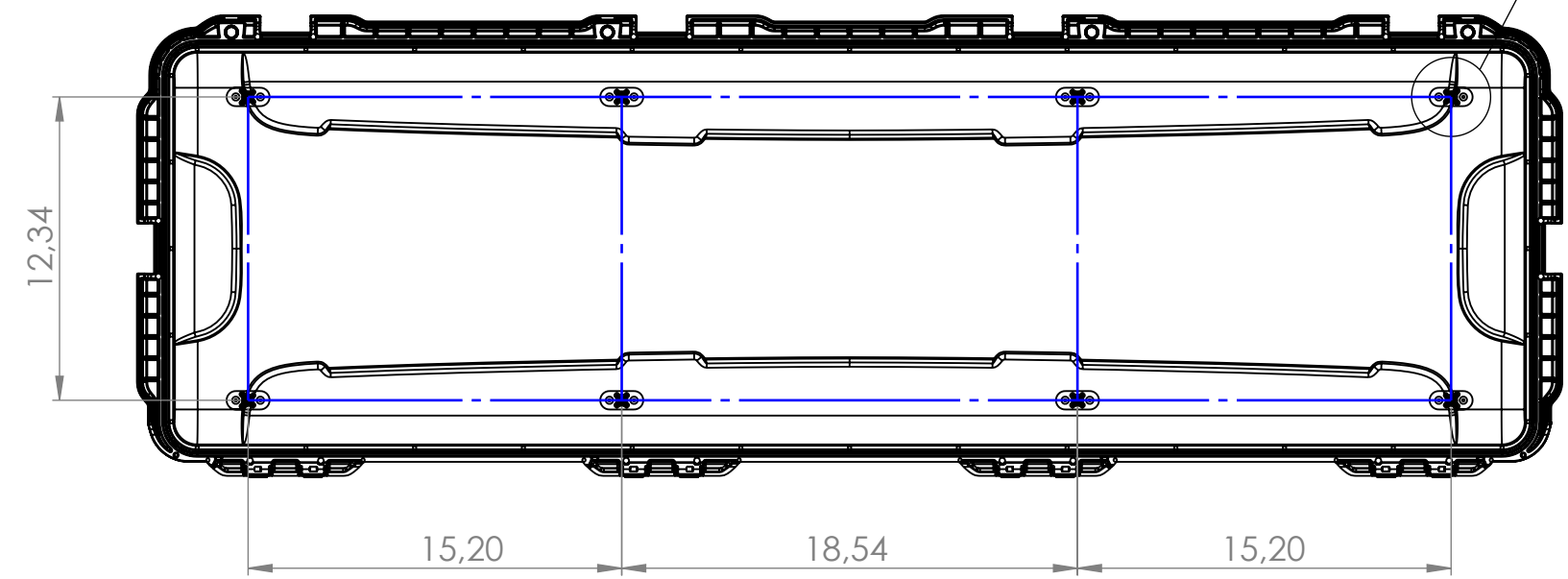
3

2

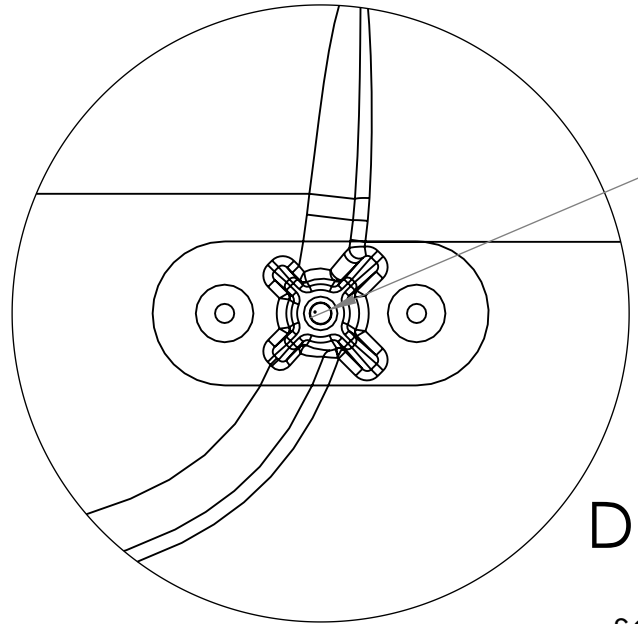
1

B

B



LID SCREW BOSS PATTERN

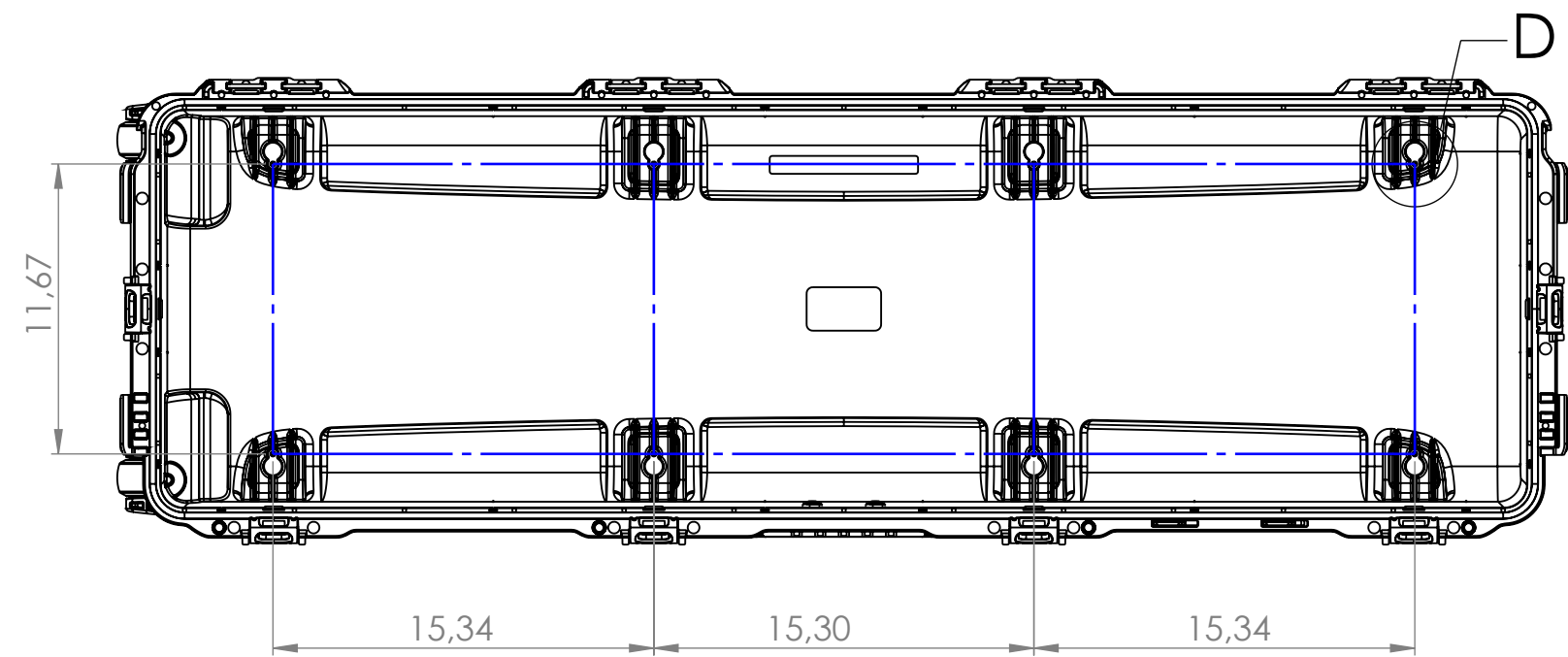


DETAIL C

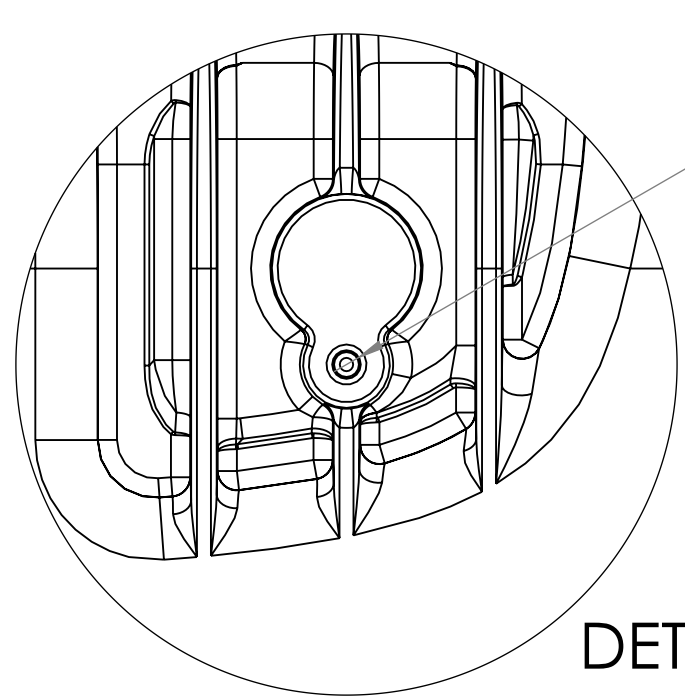
SCALE 1 : 1

A

A



BASE SCREW BOSS PATTERN



DETAIL D

SCALE 1 : 1

UNLESS OTHERWISE SPECIFIED:  
 DIMENSIONS ARE IN INCHES  
 TOLERANCES:  
 X.X ± 0.1  
 X.XX ± 0.02  
 X.XXX ± 0.005  
 FRACTIONAL ± 1/16  
 ANGULAR:  
 X ± 1°  
 X.X ± 0.5°

**PROPRIETARY AND CONFIDENTIAL**  
 THE INFORMATION CONTAINED IN THIS  
 DRAWING IS THE SOLE PROPERTY OF  
 PLASTICASE INC. ANY REPRODUCTION IN  
 PART OR AS A WHOLE WITHOUT THE  
 WRITTEN PERMISSION OF PLASTICASE INC.  
 IS PROHIBITED.

NAME	DB	DATE	2023-08-28
DRAWN BY			
APPR. BY			
QC BY			
MATERIAL			
FINISH			
WEIGHT (Kg)			

**plasticase**  
**NANUK**  
 PROFESSIONAL PROTECTIVE CASES

TITLE:  
 996\_NANUK

DWG. NO.  
 XXX - XXXX

REV  
 0

DO NOT SCALE DRAWING SIZE B SCALE: 1:10 SHEET 2 OF 2

4

3

2

1