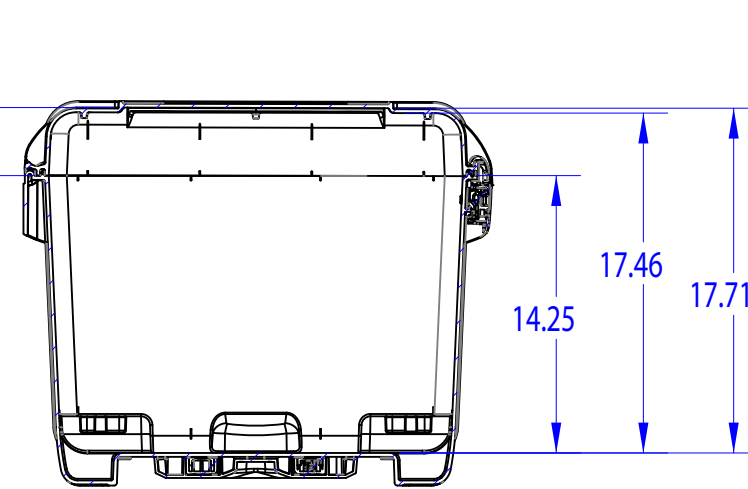
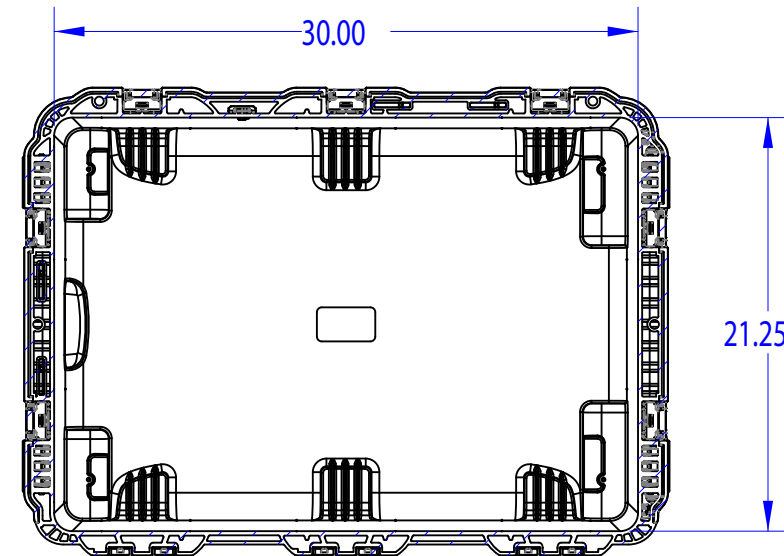
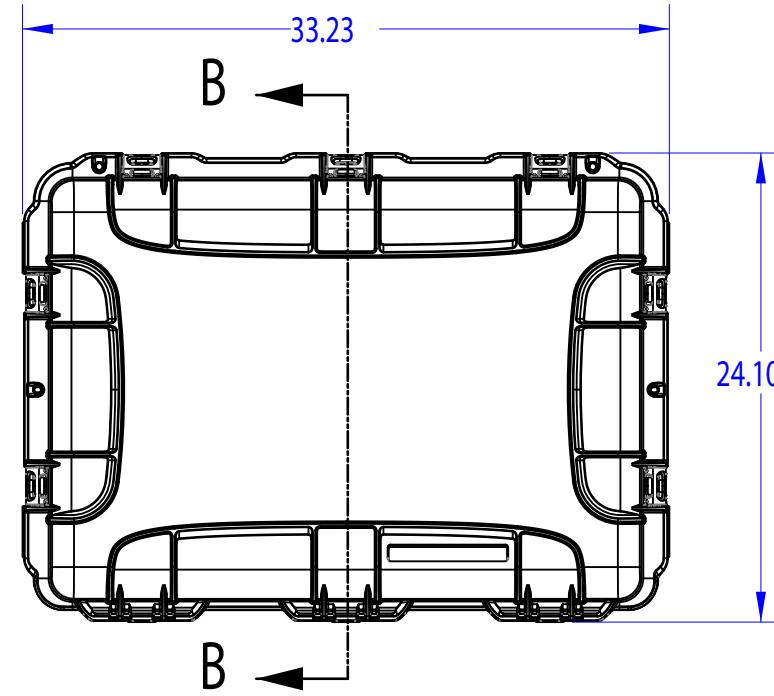
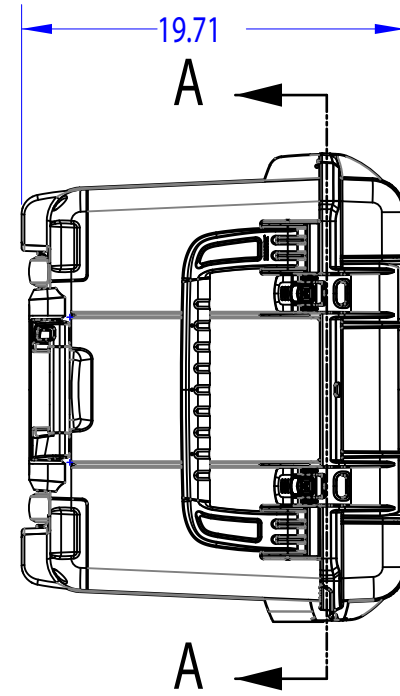
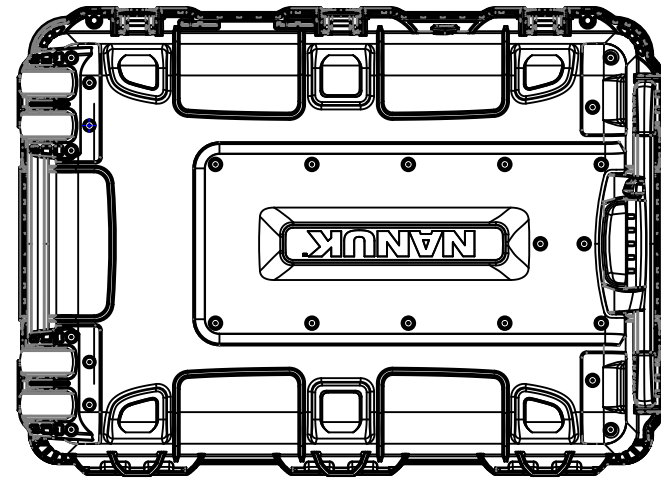
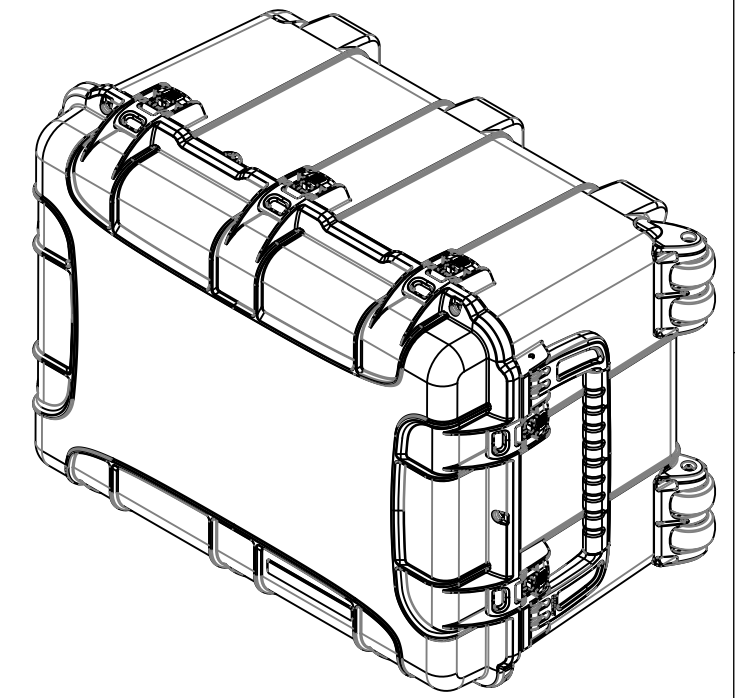


THE INFORMATION CONTAINED IN THIS DRAWING IS THE SOLE PROPERTY OF PLASTICASE ANY REPRODUCTION IN PART OR WHOLE WITHOUT THE WRITTEN PERMISSION OF PLASTICASE IS PROHIBITED.

REVISIONS			
REV.	DESCRIPTION	DATE	APPROVED



SECTION A-A

SECTION B-B

NANUK 975 Specifications

Case Weight Empty	32.2 lbs / 14.60 kg
Interior Length	30" / 762 mm
Interior Width	21.25" / 540 mm
Interior Height	17.4" / 443mm
Interior Lid Depth	3.5" / 89 mm
Interior Base Depth	14.25" / 362 mm
Exterior Length	33.2" / 843 mm
Exterior Width	24.1" / 612 mm
Exterior Height	19.7" / 500 mm
Master Pack Qty.	1
Master Pack Wt.	TBD
Max Buoyancy	TBD

PARTS LIST			
UNLESS OTHERWISE SPECIFIED DIMENSIONS ARE IN INCHES	CAD GENERATED DRAWING, DO NOT MANUALLY UPDATE		<p>PLASTICASE</p> <p>NANUK 975</p>
	APPROVALS	DATE	
	DRAWN S.C.	2021-07-20	
	CHECKED		
MATERIAL	RESP ENG		
FINISH --	MFG ENG		
DO NOT SCALE DRAWING	QUAL ENG		
SCALE 1:10	CAD FILE 975_Assembly_a.01	SHEET 1 OF 1	REV.